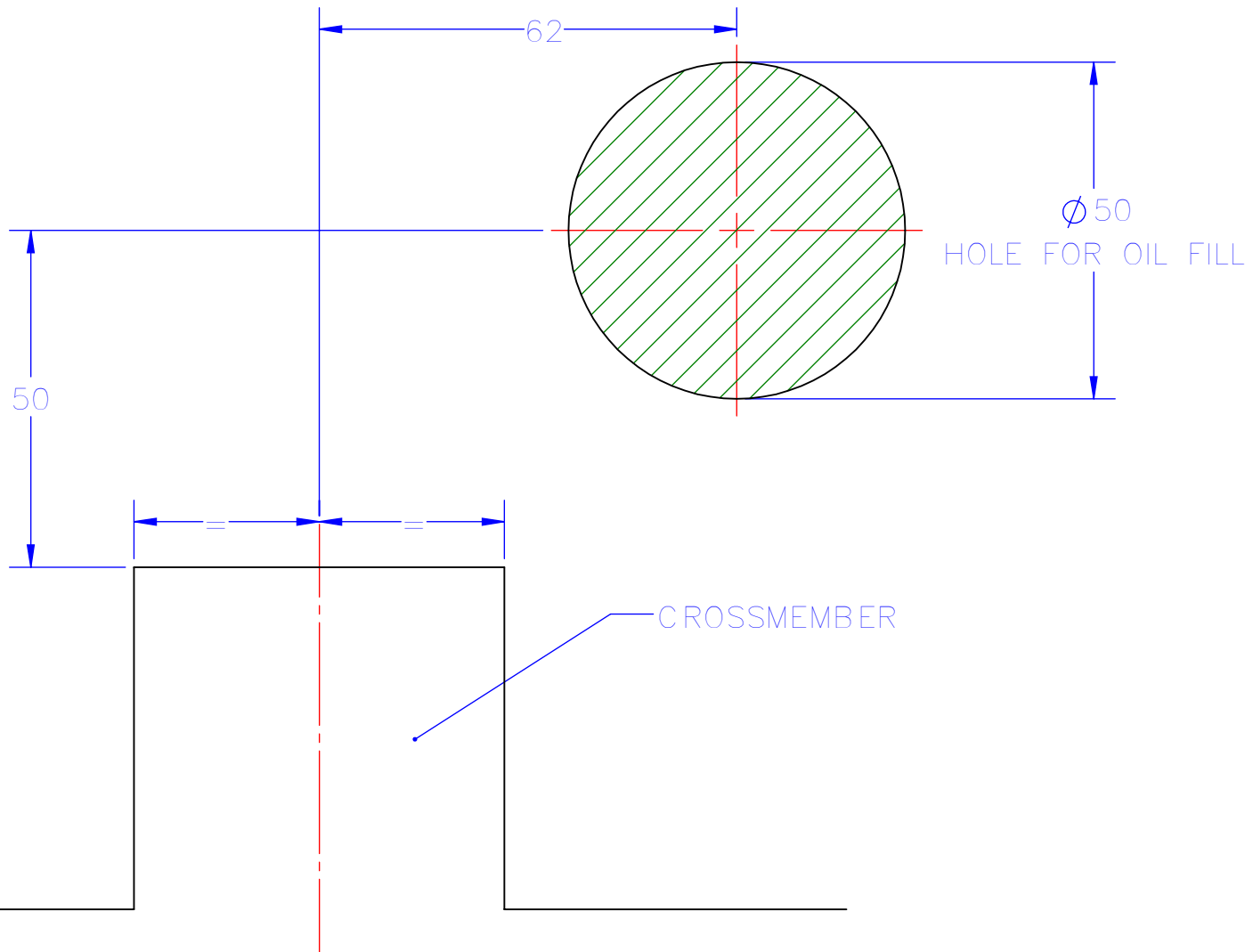


NOTES

PRINT AT 1:1 SCALE TO USE AS TEMPLATE

REVISION NOTES

REV	DESCRIPTION	BY	DATE
1	INITIAL RELEASE	JCCB	11/01/24



CROSSMEMBER

UNLESS OTHERWISE SPECIFIED:
DRAWING ACCORDING TO BS 8888
TOLERANCES TO DIN ISO 2768 mK
SURFACE FINISH 3.2Ra max.
2D DRAWING TO BE USED IN CONJUNCTION
WITH 3D CAD. REFER TO 3D CAD FOR
UNSPECIFIED FEATURES AND DIMENSIONS.
2D DRAWING IS MASTER.
DEBURR AND BREAK ALL SHARP EDGES
DIMENSIONS IN MILLIMETERS / DEGREES

BARRATT ENGINEERING

PART NUMBER	
DESCRIPTION	OIL FILL HOLE
MATERIAL	
SCALE	1:1